



AUTO SALES & PARTS, INC.

RECYCLED PARTS REQUESTED: SUV FORM

CALL: 262-542-2255 FAX: 262-542-0263

W227 S2698 Racine Ave. Waukesha, WI 53186

To _____ From _____

Contact person _____ Contact person _____

Phone # _____ Fax # _____ Date _____

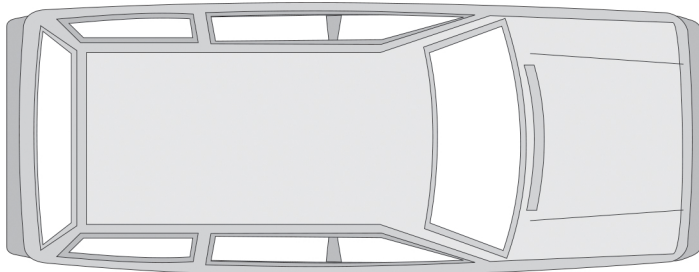
Year _____ Make _____ Model _____

VIN # _____ Build Date _____

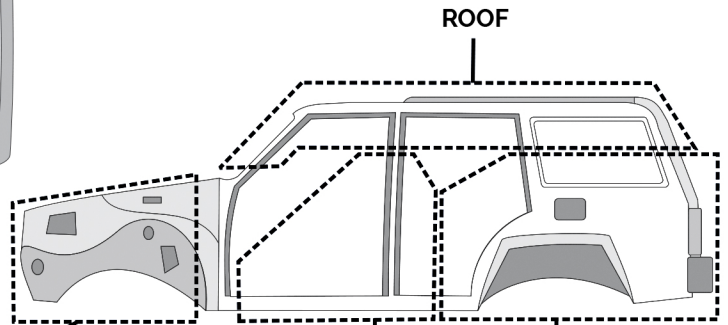
P.O. # _____ Please sign here _____

Disclaimer: All cuts are sold AS IS, no returns

IMPORTANT: Standard cuts are marked below, there may be a surcharge on larger cuts. Signing above confirms you understand our no return policy.



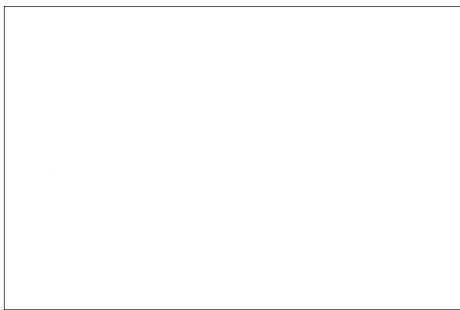
TOP VIEW



ROOF

DRIVER SIDE

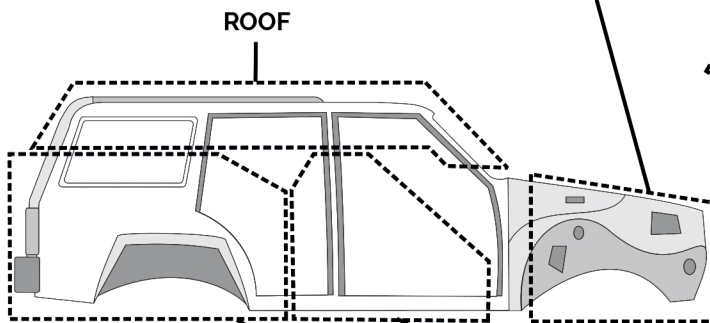
Cut Sheet Additional Notes



FRONT
INNER
STRUCTURE

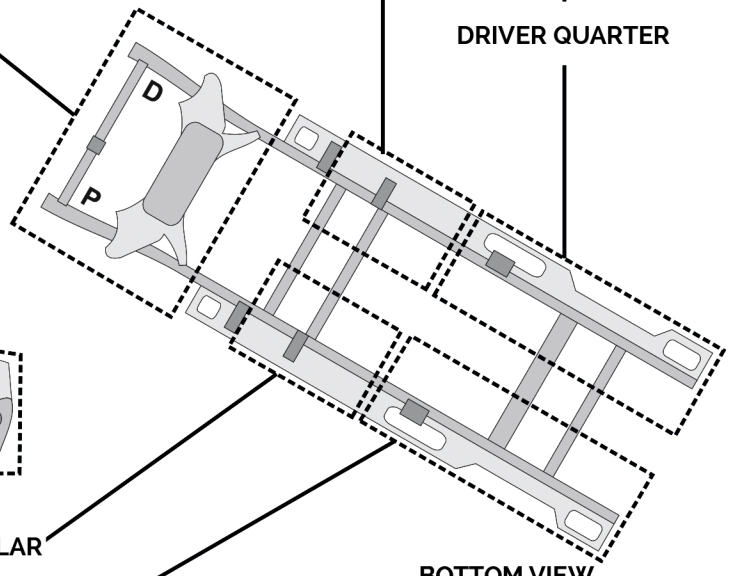
CENTER PILLAR

DRIVER QUARTER



ROOF

PASSENGER SIDE



CENTER PILLAR

PASSENGER QUARTER

BOTTOM VIEW