



AUTO SALES & PARTS, INC.

RECYCLED PARTS REQUESTED: VAN FORM

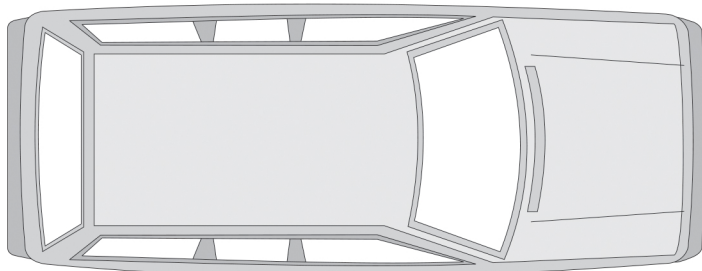
CALL: 262-542-2255 FAX: 262-542-0263

W227 S2698 Racine Ave. Waukesha, WI 53186

To _____ From _____
 Contact person _____ Contact person _____
 Phone # _____ Fax # _____ Date _____
 Year _____ Make _____ Model _____
 VIN # _____ Build Date _____
 P.O. # _____ Please sign here _____

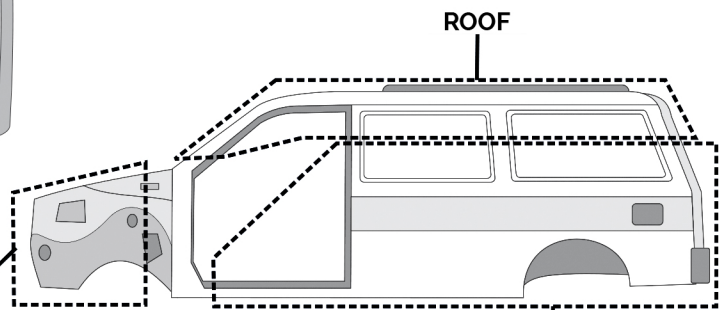
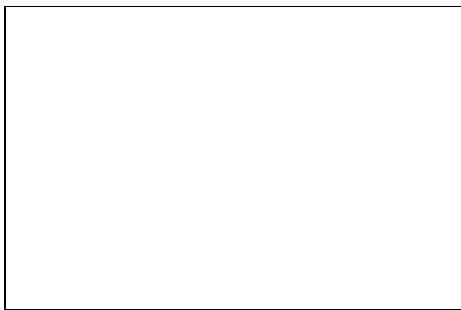
Disclaimer: All cuts are sold AS IS, no returns

IMPORTANT: Standard cuts are marked below, there may be a surcharge on larger cuts. Signing above confirms you understand our no return policy



TOP VIEW

Cut Sheet Additional Notes

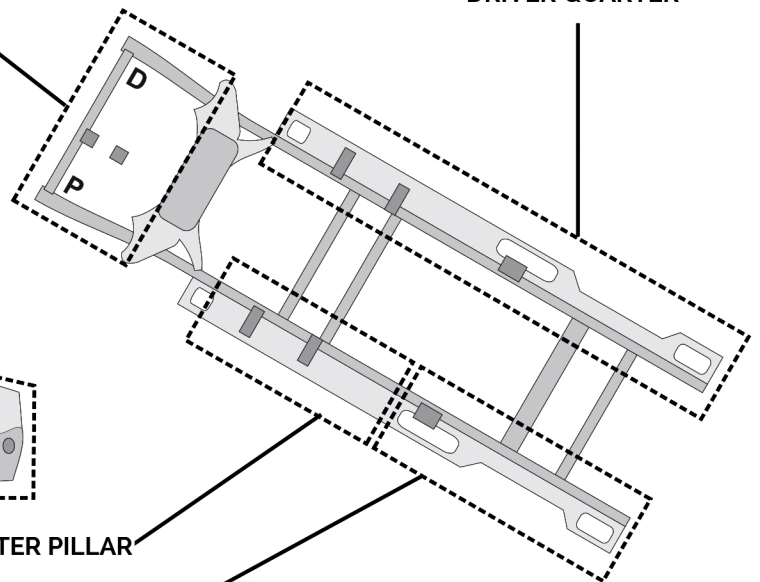


DRIVER SIDE

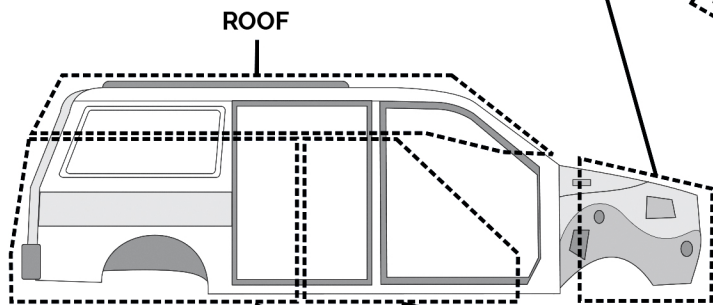
ROOF

DRIVER QUARTER

FRONT INNER STRUCTURE



BOTTOM VIEW



PASSENGER SIDE

CENTER PILLAR

PASSENGER QUARTER